

Cartridge Style Pressure Reducing Valve

Taco's cartridge style pressure reducing valve sets a new standard for performance and serviceability. All the parts are contained in a one piece cartridge which can be easily removed and serviced without reducing the system pressure. A fast-fill mode that automatically returns to the normal mode when the set pressure is reached and delivers increased flow to speed system fill times. Its unique dial-in pressure setting allows for easy adjustment throughout the 10-50 psi range, without the need for an external gauge. Now available with 1/2" union press connection.



Submittal Data Information Cartridge Style Pressure Reducing Valve

Submittal Data # 101-070
Supersedes: 09/14/12

Effective: 06/07/17

Features

- Automatic Pressure Reset from Fast Fill
- Easy External Dial-up Pressure Setting
- Set Pressure Indicator
- Simple serviceability with the unique one piece cartridge
- Internal check allows the cartridge to be replaced without draining the system
- Integral Strainer
- ASSE 1003

Product Specifications

- Max. Inlet Pressure.....250 psi
- Adjustment Range.....10 – 50 psi
- Max. Temp.....210°F
- Factory Setting12 psi
- Media.....Water

Materials of Construction

- BodyForged Brass
- Cartridge.....Wetted Parts
Stainless Steel,
Engineered Plastics,
Bronze, EPDM Seals

Model Number	Description
3350	1/2" NPT x 1/2" Union Sweat
3350-H	1/2" NPT x 1/2" Union Press
3350-T	1/2" NPT x 1/2" NPT

Purpose

The 3350 valve is used to automatically feed water to a hydronic system whenever pressure in the system drops below the pressure setting of the valve.

Operation

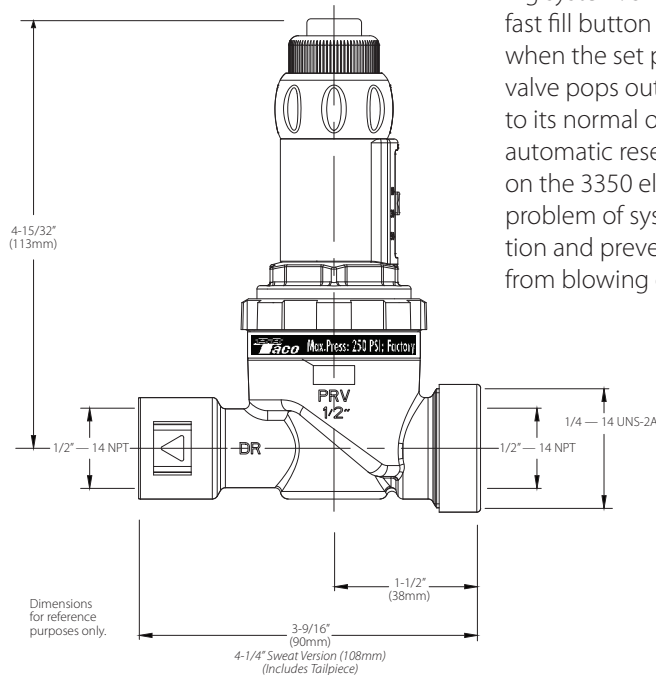
The cartridge style design ensures unsurpassed output pressure stability. A balance between diaphragm position and spring tension based on the desired outlet pressure is consistently maintained, even when inlet pressures fluctuate severely. The unique one-piece cartridge design significantly reduces diaphragm load, extending the overall product life. Unlike conventional PRV designs, the diaphragm does not double as a seal between the body and the cap.

This allows for optimization of the diaphragm for its intended use - maintaining pressure stability.

A unique encapsulated shaft seal system prevents flowing media from contacting the diaphragm, greatly extending diaphragm life. If the diaphragm ever does fail, the encapsulated shaft and body seals work together to stop water from exiting the valve. Use of a stainless steel coaxial strainer prohibits system debris from affecting the valves' performance. An integral check valve allows the cartridge to be removed under system pressure for replacement or servicing.

Fast Fill

The 3350 provides an efficient and simple solution to filling your heating system. Simply push down the fast fill button on top of the PRV and when the set pressure is reached the valve pops out of fast fill and returns to its normal operating mode. This automatic reset feature of the fast fill on the 3350 eliminates the common problem of system over pressurization and prevents the relief valve from blowing off.



Taco Inc., 1160 Cranston Street, Cranston, RI 02920 / (401) 942-8000 / Fax (401) 942-2360
Taco (Canada) Ltd., 8450 Lawson Road, Unit #3, Milton, Ontario L9T 0J8 / (905) 564-9422 / Fax (905) 564-9436